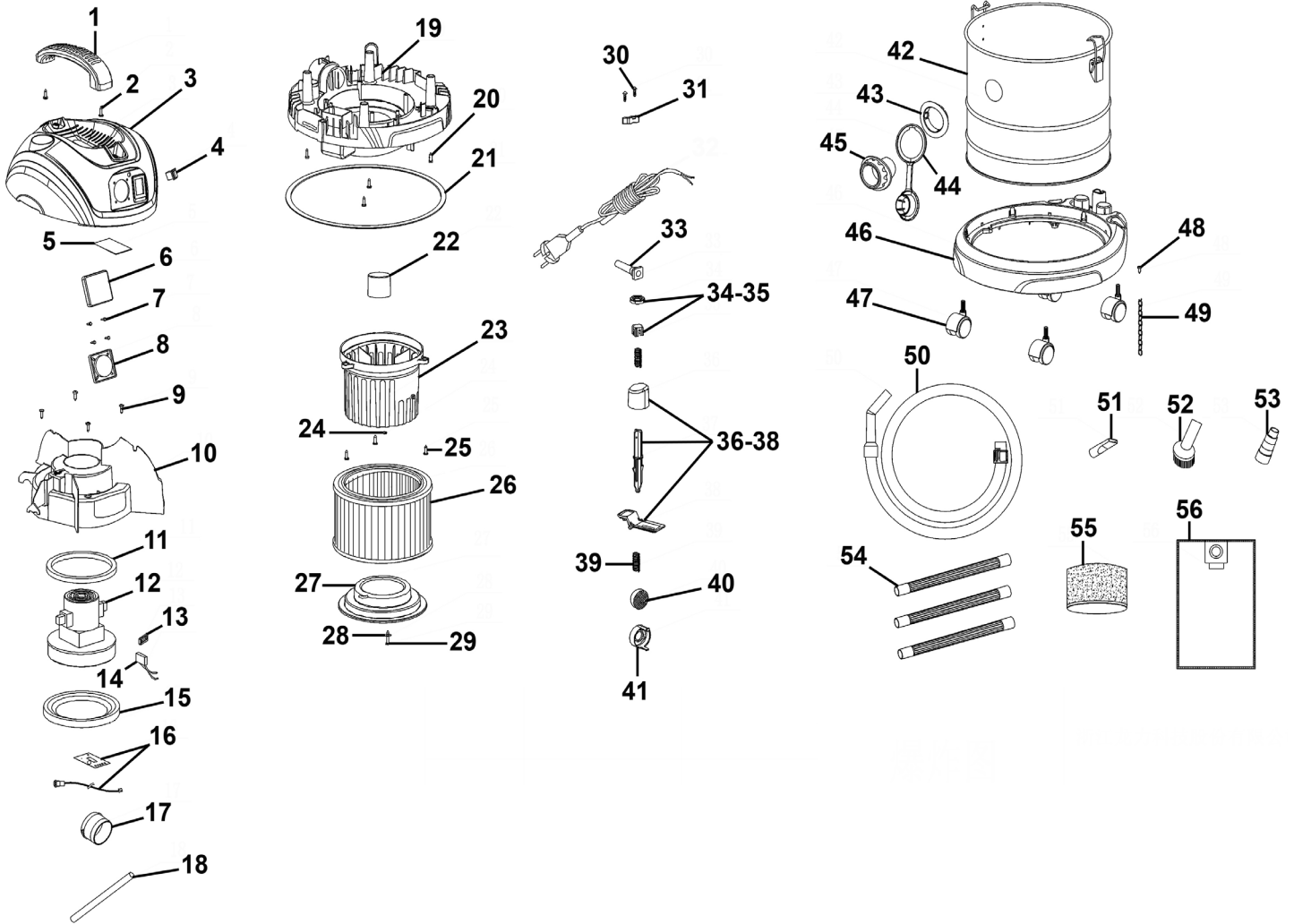




Parts Information:  
**BuilderVac® Wet & Dry Vacuum Cleaner**  
**15L Stainless Steel Drum M Class Filtration**  
**Model No: PC150BV & PC150BV110V**



Item	Part No.	Description	Qty
1	PC150BV-01	Top Handle 'PC150BV Only'	1
1	PC150BV110V-01	Top Handle 'PC150BV110V Only'	1
2	PC150BV-02	Self-Tapping Screw	2
3	PC150BV-03	Top Cover	1
4	PC150BV-04	Switch (On/Off)	1
5	PC150BV-05	Rating Label	1
6	PC150BV-06	Socket 230V (3-Pin) 'PC150BV Only'	1
6	PC150BV110V-06	Socket 110V (3-Pin) 'PC150BV110V Only'	1
7	PC150BV-07	Self-Tapping Screw	4
8	PC150BV-08	Socket Backing Plate	1
9	PC150BV-09	Self-Tapping Screw	4
10	PC150BV-10	Motor Cover	1
11	PC150BV-11	Upper Gasket	1

Item	Part No.	Description	Qty
12	PC150BV-12	Motor 230V 'PC150BV Only'	1
12	PC150BV110V-12	Motor 110V 'PC150BV110V Only'	1
13	PC150BV-13	Inductor	1
14	PC150BV-14	Capacitor	1
15	PC150BV-15	Lower Gasket	1
16	PC150BV-16	PCB Assembly 230V 'PC150BV Only'	1
16	PC150BV110V-16	PCB Assembly 110V 'PC150BV110V Only'	1
17	PC150BV-17	Air Outlet Block	1
18	PC150BV-18	Air Hose	1
19	PC150BV-19	Middle Cover 'PC150BV Only'	1
19	PC150BV110V-19	Middle Cover 'PC150BV110V Only'	1
20	PC150BV-20	Self-Tapping Screw	4
21	PC150BV-21	Bottom Base Seal	1

**NOTE:** It is our policy to continually improve products and as such we reserve the right to alter data, specifications and component parts without prior notice. There may be alternative versions of this product, please contact us should you require this information.

**IMPORTANT:** No liability is accepted for incorrect use of product. Spare parts must be fitted by a competent person

**WARRANTY:** Guarantee is 12 months from purchase date, proof of which will be required for any claim.

Sealey Group, Kempson Way, Suffolk Business Park, Bury St Edmunds, Suffolk. IP32 7AR



01284 757500



sales@sealey.co.uk



www.sealey.co.uk



Parts Information:  
**BuilderVac® Wet & Dry Vacuum Cleaner**  
**15L Stainless Steel Drum M Class Filtration**  
**Model No: PC150BV & PC150BV110V**

Item	Part No.	Description	Qty
22	PC150BV-22	Safety Valve	1
23	PC150BV-23	Basket Frame	1
24	PC150BV-24	Copper Nut	1
25	PC150BV-25	Self-Tapping Screw	3
26	PC150BVCF	HEPA Filter	1
27	PC150BV-27	Basket Frame Plate	1
28	PC150BV-28	O-Ring	1
29	PC150BV-29	Self-Tapping Screw	1
30	PC150BV-30	Self-Tapping Screw	2
31	PC150BV-31	Cable Grip	1
33	PC150BV-33	Cable Sleeve	1
34-35	PC150BV-34-35	Protecting Valve Kit (A)	1
36-38	PC150BV-36-38	Filter Cleaning Button Kit	1
39	PC150BV-39	Protecting Valve Kit (B)	2
40	PC150BV-40	Air Outlet Filter	1
41	PC150BV-41	Air Outlet Cover	1
42	PC150BV-42	Tank 15L	1

Item	Part No.	Description	Qty
43	PC150BV-43	Hose Inlet Base	1
44	PC150BV-44	Air Inlet Cover	1
45	PC150BV-45	Hose Inlet Base	1
46	PC150BV-46	Base ' <b>PC150BV Only</b> '	1
46	PC150BV110V-46	Base ' <b>PC150BV110V Only</b> '	1
47	PC150BV-47	Wheel, Swivel Castor	4
48	PC150BV-48	Self-Tapping Screw	1
49	PC150BV-49	Chain	1
50	PC150BV-50	Vacuum Hose ' <b>PC150BV Only</b> '	1
50	PC150BV110V-50	Vacuum Hose ' <b>PC150BV110V Only</b> '	1
51	PC150BV-51	Crevice Nozzle	1
52	PC150BV-52	Round Brush	1
53	PC150BV-53	Tool Adaptor	1
54	PC150BV-54	Extension Tube	3
55	PC150BVFF	Foam Filter	1
56	PC150BVCB	Cloth Bag	1

**NOTE:** It is our policy to continually improve products and as such we reserve the right to alter data, specifications and component parts without prior notice. There may be alternative versions of this product, please contact us should you require this information.

**IMPORTANT:** No liability is accepted for incorrect use of product. Spare parts must be fitted by a competent person

**WARRANTY:** Guarantee is 12 months from purchase date, proof of which will be required for any claim.

Sealey Group, Kempson Way, Suffolk Business Park, Bury St Edmunds, Suffolk. IP32 7AR



01284 757500



sales@sealey.co.uk



www.sealey.co.uk